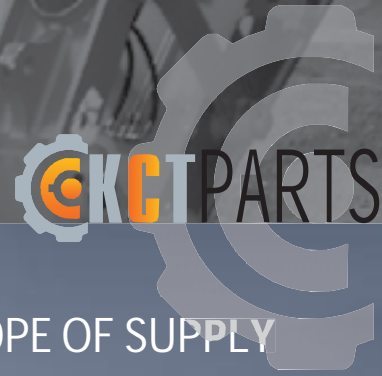


# QUICK-COUPLER PULLING TYPE



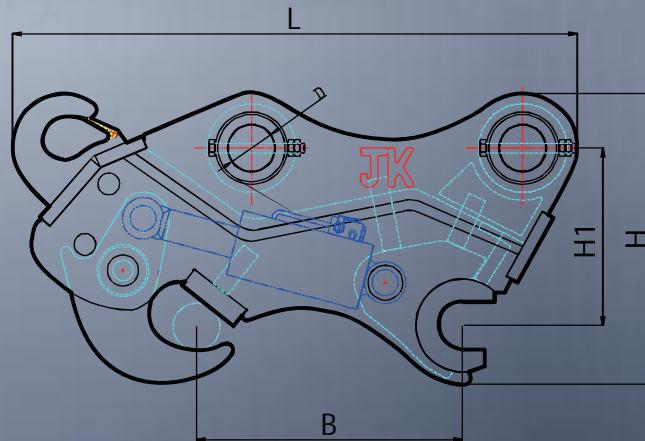
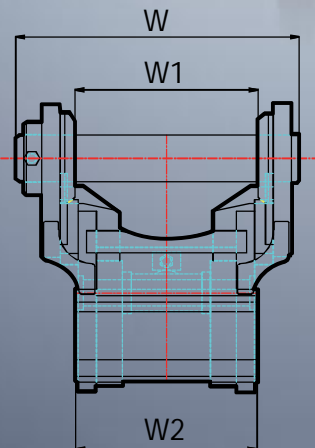
## PULLING TYPE

### Features

- Pro-longed lifetime with superior durability
- Double safety device
- Simple hitch & losing work aprx ~1 min
- Enough space for safety pin
- Hook
- Increasing digging depth

## SCOPE OF SUPPLY

- Quick-Coupler
- Standard piping kit
- 2 Pins for bucket-arm linkage
- Parts book
- Manual



Description	Model	JKOPL50	JKOPL140	JKOPL200	JKOPL300	JKOPL350	JKOPL400	JKOPL500
Carrier	ton	5~6	11~13	18~22	23~30	31~36	37~42	43~50
L	mm	585~510	824	970	1,076~1,094	1,057~1,072	1,208~1,238	1,253~1,285
H	mm	293	391	491	552~557	587~610	613~627	628~662
H1	mm	179	243	302	340	355~371	365~383	380~401
W	mm	259~269	408~423	477~496	535~584	586~624	624~664	661~726
W1	mm	155~170	260~275	306~334	351~411	385~432	401~443	431~473
W2	mm	153~168	257~273	303~329	347~407	382~429	429~438	429~468
B	mm	255~290	375~400	450~480	487~540	510~580	533~600	556~612
Weight	kg	60~70	170~190	330~340	510~528	630~636	670~755	760~890
Operating Pressure	bar	40~350						
Flow Rate	lpm	10~30						



Above specification can be changed without prior notice to improve performance.