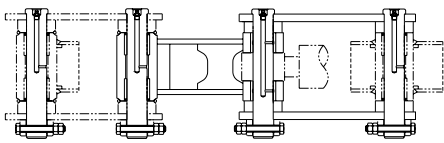
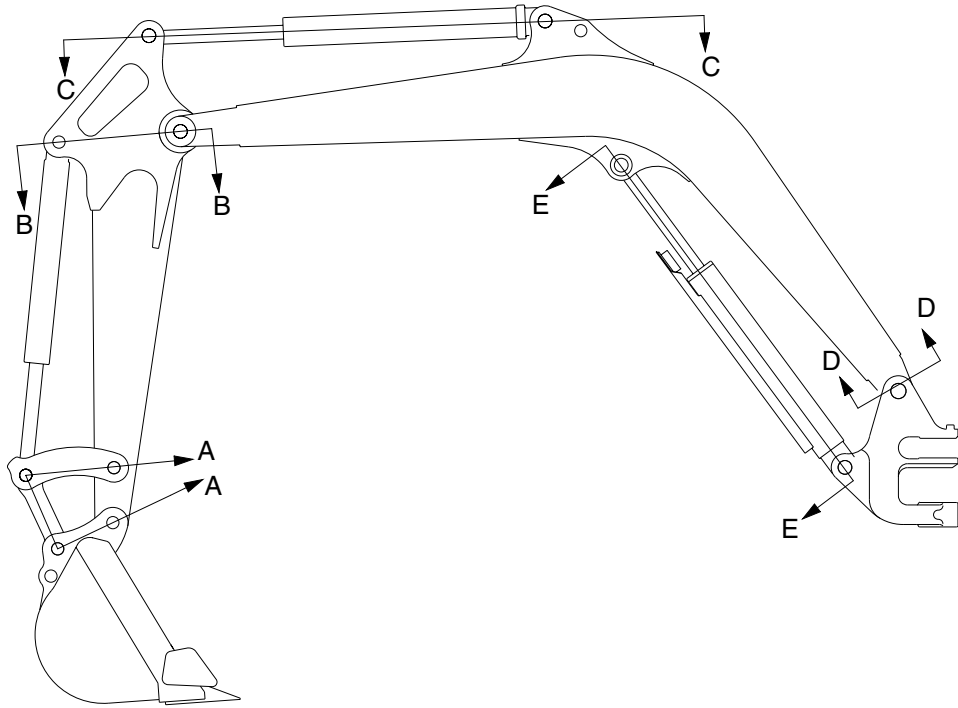
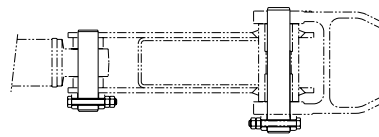


# GROUP 11 WORK EQUIPMENT

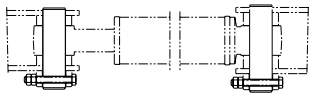
## 1. STRUCTURE



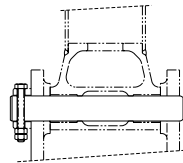
SECTION A-A



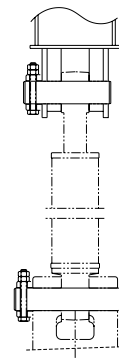
SECTION B-B



SECTION C-C



SECTION D-D



SECTION E-E

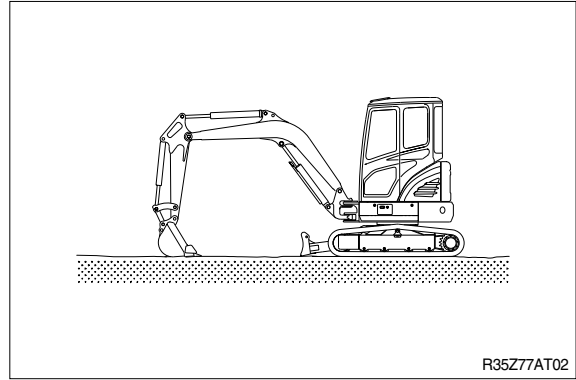
R35Z77AT01

## 2. REMOVAL AND INSTALL

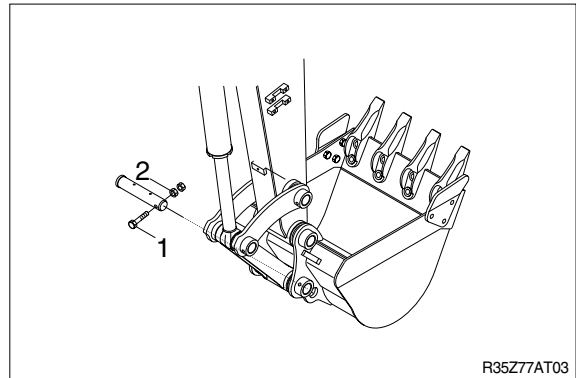
### 1) BUCKET ASSEMBLY

#### (1) Removal

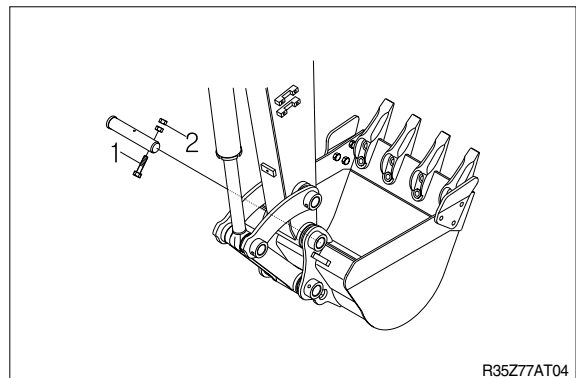
- ① Lower the work equipment completely to ground with back of bucket facing down.



- ② Remove nut(1), bolt(2) and draw out the pin(4).

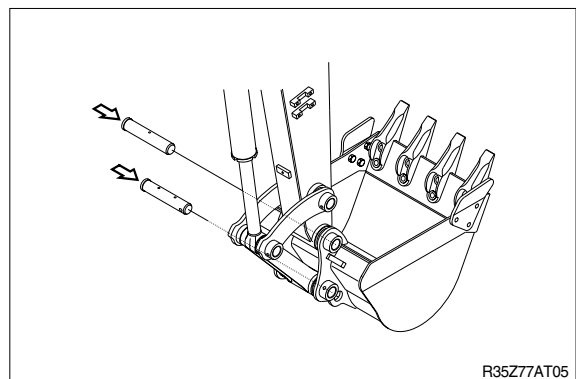


- ③ Remove nut(1), bolt(2) and draw out the pin(3) then remove the bucket assembly.  
· Weight : 80kg(180lb)



#### (2) Install

- ① Carry out installation in the reverse order to removal.
- ▲ When aligning the mounting position of the pin, do not insert your fingers in the pin hole.
- ※ Adjust the bucket clearance.  
For detail, see **operator's manual**.



## 2) ARM ASSEMBLY

### (1) Removal

※ Loosen the breather slowly to release the pressure inside the hydraulic tank.

▲ Escaping fluid under pressure can penetrate the skin causing serious injury.

① Remove bucket assembly.

For details, see **removal of bucket assembly**.

② Disconnect bucket cylinder hose(4).

▲ Fit blind plugs(5) in the piping at the chassis end securely to prevent oil from spurting out when the engine is started.

③ Sling arm cylinder assembly, remove spring, pin stopper and pull out pin.

※ Tie the rod with wire to prevent it from coming out.

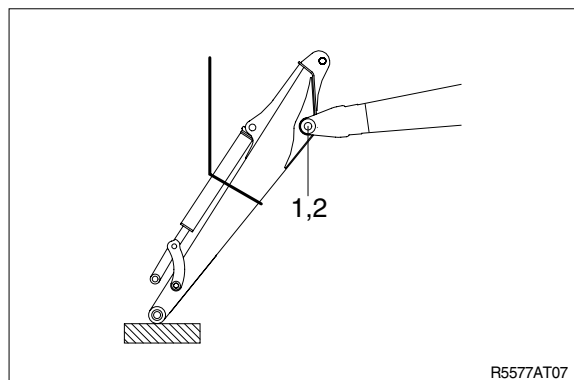
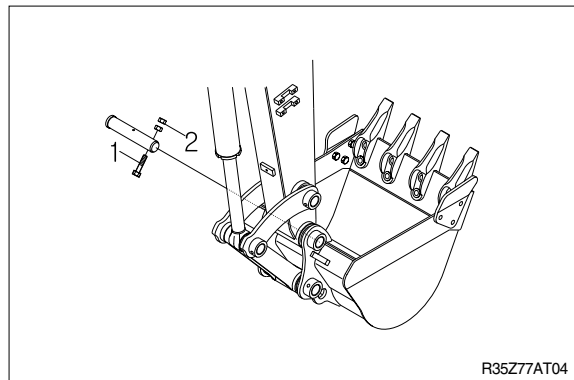
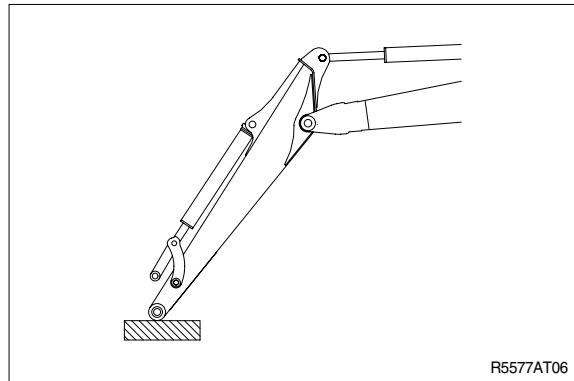
④ For details, see **removal of arm cylinder assembly**.

Place a wooden block under the cylinder and bring the cylinder down to it.

⑤ Remove bolt(1) and pull out the pin(2) then remove the arm assembly.

· Weight : 80kg(180lb)

※ When lifting the arm assembly, always lift the center of gravity.



### (2) Install

① Carry out installation in the reverse order to removal.

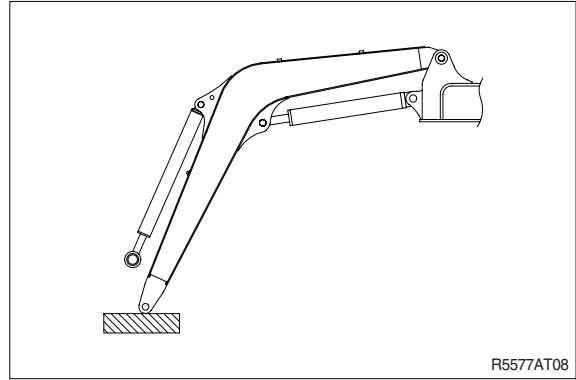
▲ When lifting the arm assembly, always lift the center of gravity.

※ Bleed the air from the cylinder.

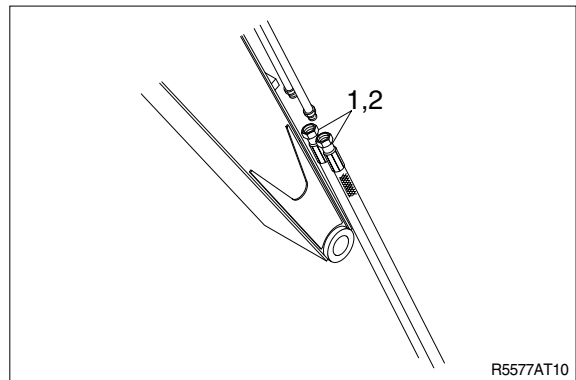
### 3) BOOM CYLINDER

#### (1) Removal

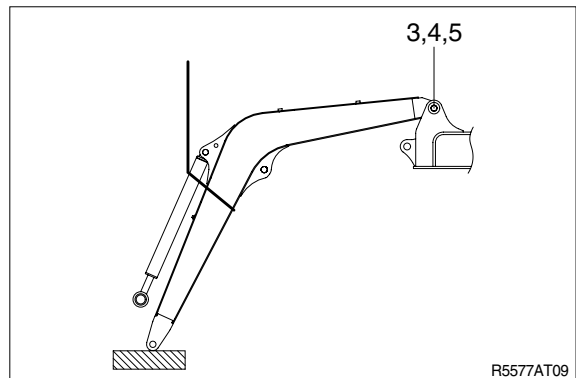
- ① Remove arm and bucket assembly.  
For details, see **removal of arm and bucket assembly**.
- ② Remove boom cylinder assembly from boom.  
For details, see **removal of arm cylinder assembly**.



- ③ Disconnect head lamp wiring.
- ④ Disconnect bucket cylinder hose(2) and arm cylinder hose(1).  
※ When the hose are disconnected, oil may spurt out.
- ⑤ Sling boom assembly(3).



- ⑥ Remove bolt(3), nut(4) and pull out the pin(5) then remove boom assembly.  
· Weight : 140kg(310lb)  
※ When lifting the boom assembly always lift the center of gravity.



#### (2) Install

- ① Carry out installation in the reverse order to removal.
- ▲ When lifting the arm assembly, always lift the center of gravity.
- ※ Bleed the air from the cylinder.

